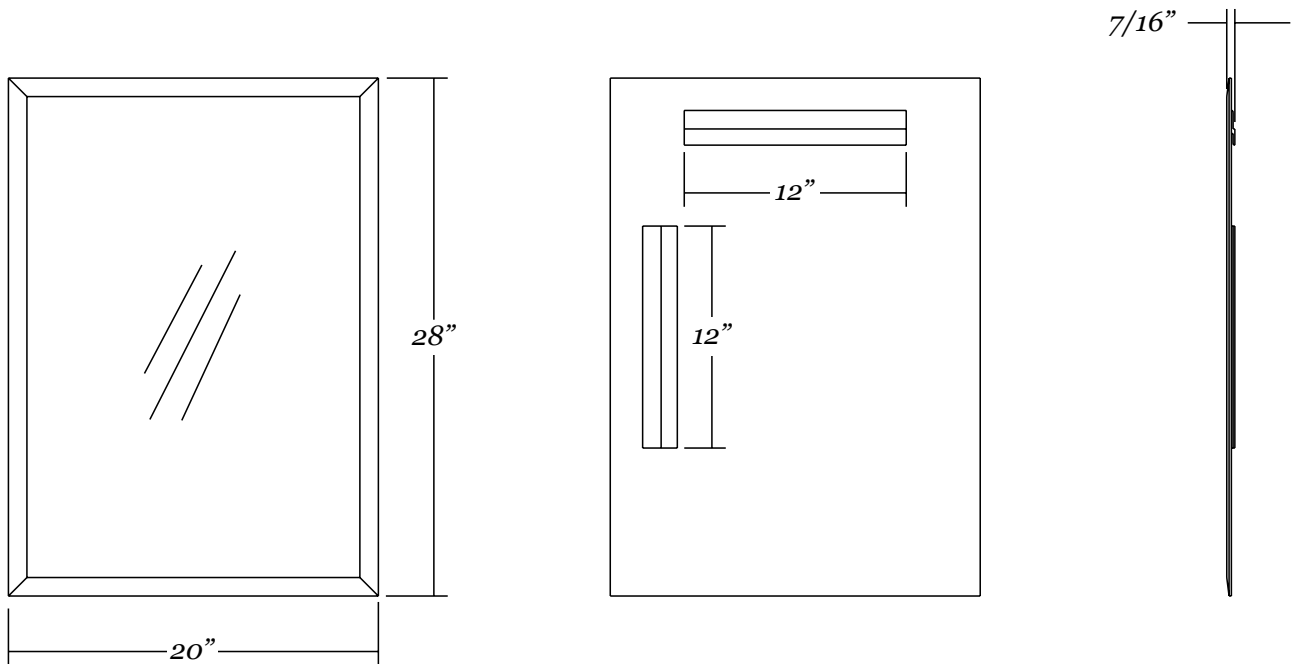


17106

Frameless *beveled rectangle mirror*

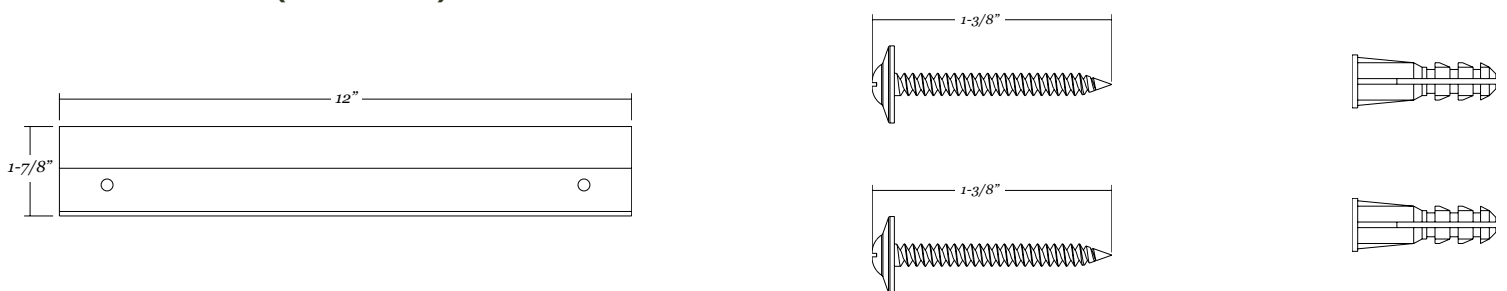
- 20" x 28" frameless rectangle mirror
- 1" wide beveled edge
- 1/4" thick glass with premium silver backing
- Ultra-Flush™ Installation System: two cleats on back of mirror, interlocking wall cleat provided
- Vertical or horizontal hanging orientation

Mirror Dimensions



Weight: 11 lbs.

Wall Hardware (included)

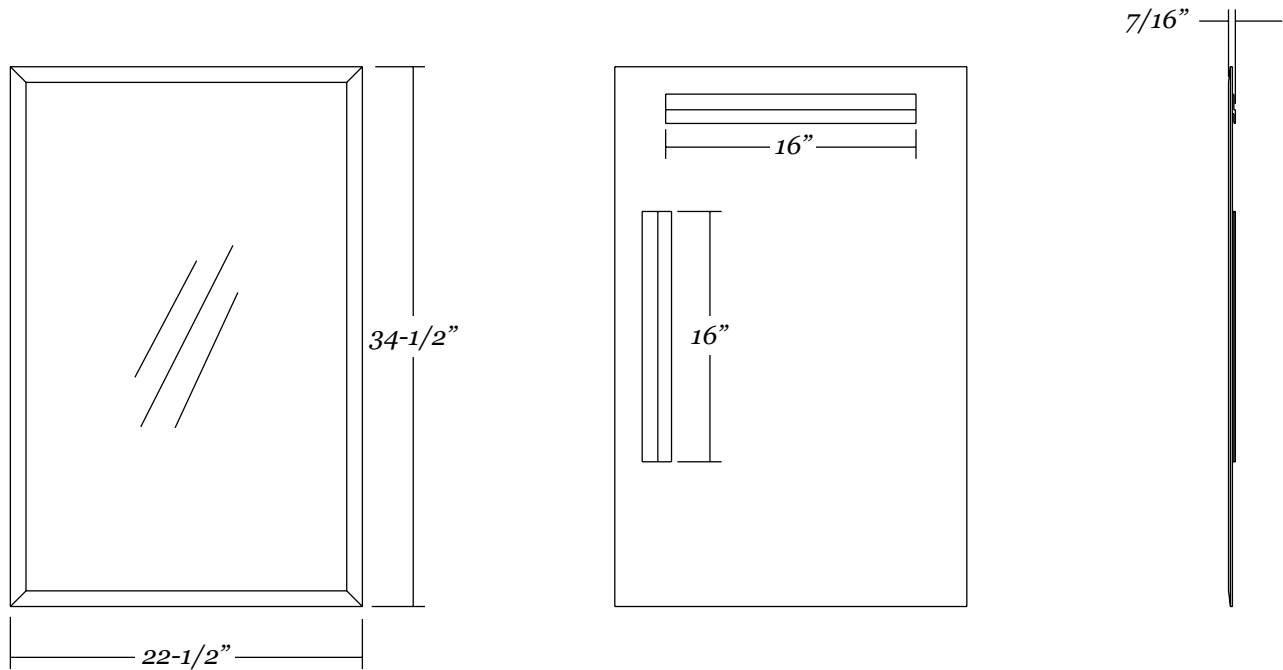


17107

Frameless *beveled rectangle mirror*

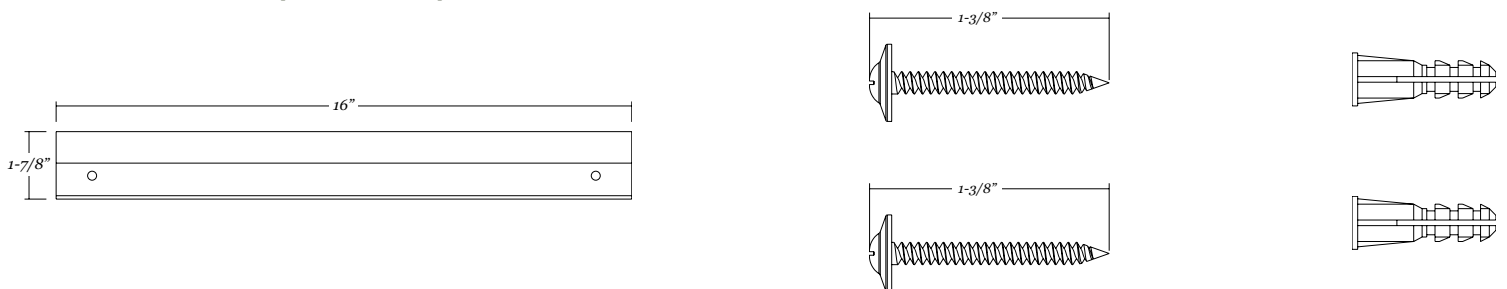
- 22-1/2" x 34-1/2" frameless rectangle mirror
- 1" wide beveled edge
- 1/4" thick glass with premium silver backing
- Ultra-Flush™ Installation System: two cleats on back of mirror, interlocking wall cleat provided
- Vertical or horizontal orientation

Mirror Dimensions



Weight: 15 lbs.

Wall Hardware (included)

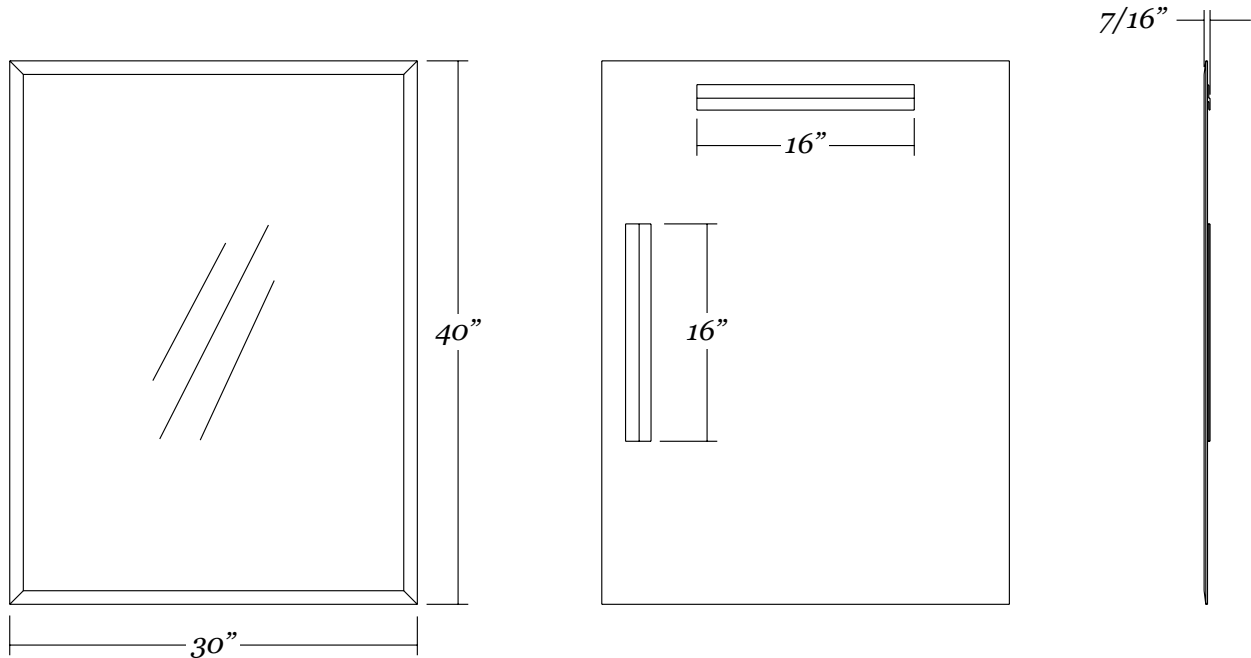


17109

Frameless *beveled rectangle mirror*

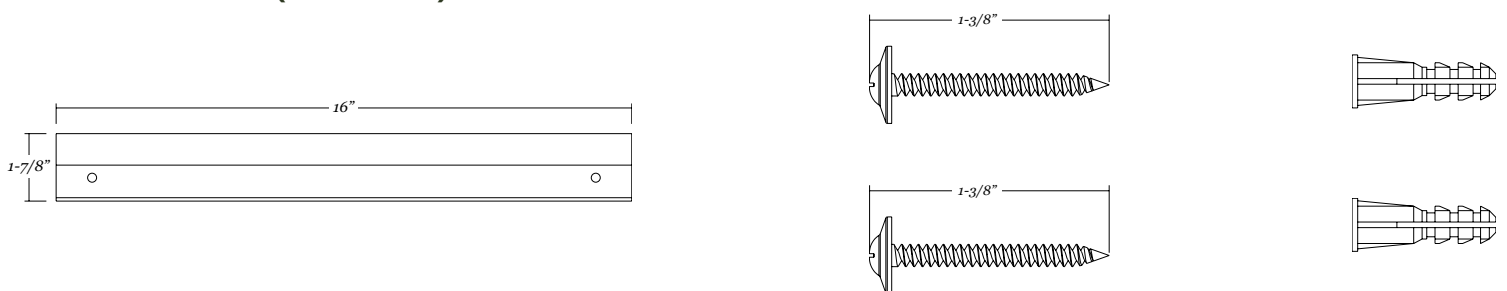
- 30" x 40" frameless rectangle mirror
- 1" wide beveled edge
- 1/4" thick glass with premium silver backing
- Ultra-Flush™ Installation System: two cleats on back of mirror, interlocking wall cleat provided
- Vertical or horizontal orientation

Mirror Dimensions



Weight: 24 lbs.

Wall Hardware (included)

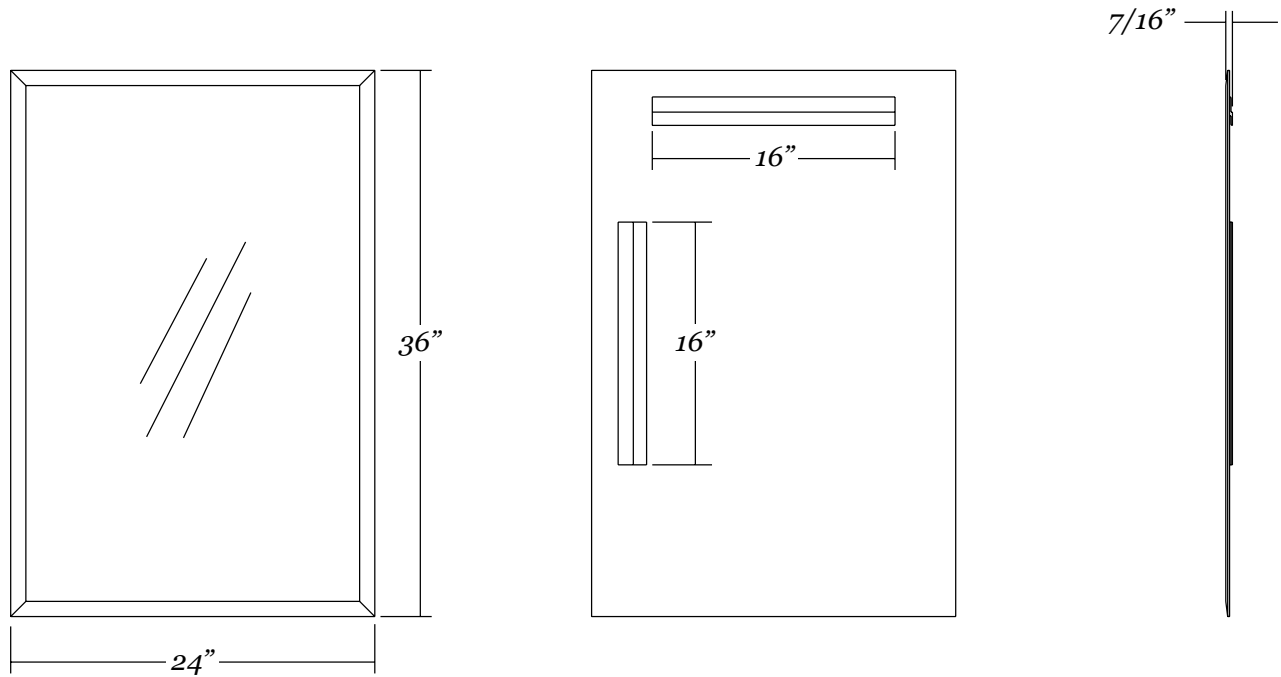


17110

Frameless *beveled rectangle mirror*

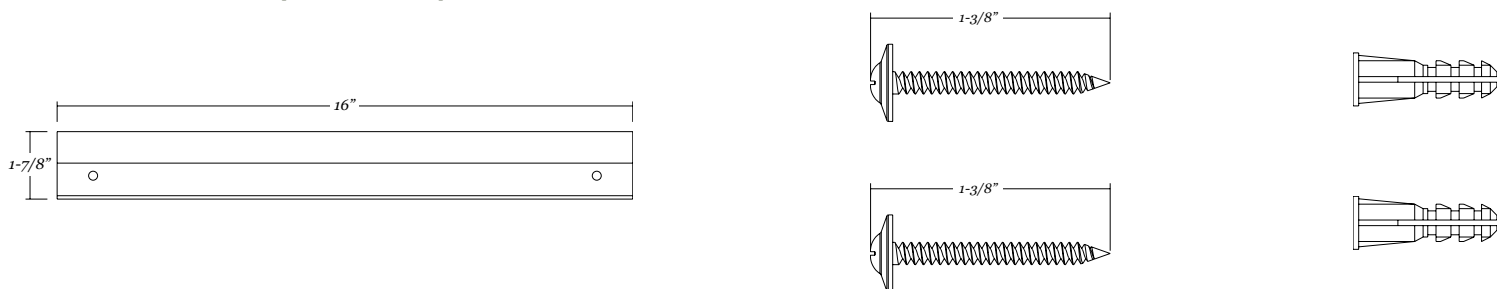
- 24" x 36" frameless rectangle mirror
- 1" wide beveled edge
- 1/4" thick glass with premium silver backing
- Ultra-Flush™ Installation System: two cleats on back of mirror, interlocking wall cleat provided
- Vertical or horizontal orientation

Mirror Dimensions



Weight: 17 lbs.

Wall Hardware (included)

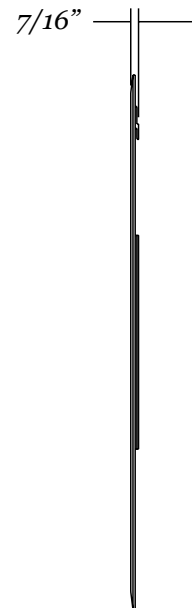
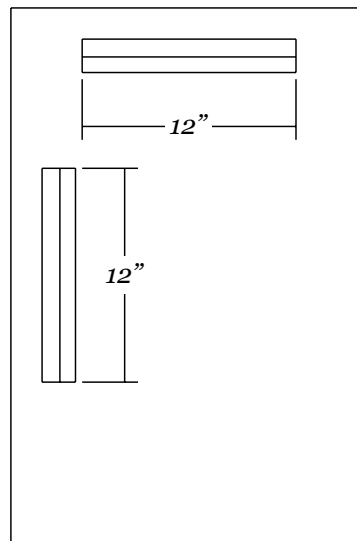
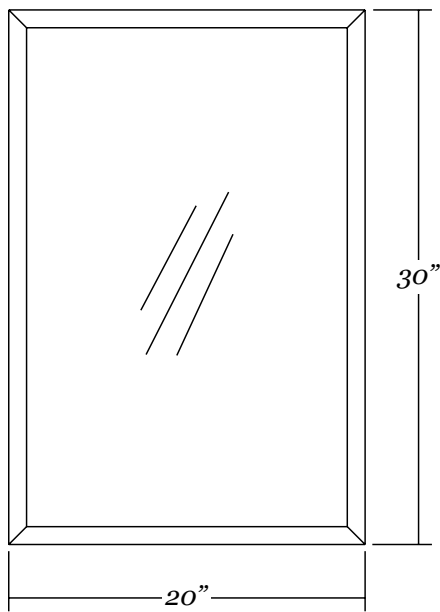


17150

Frameless *beveled rectangle mirror*

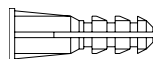
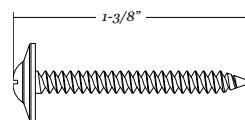
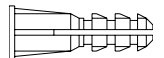
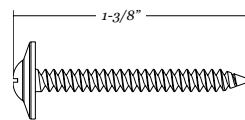
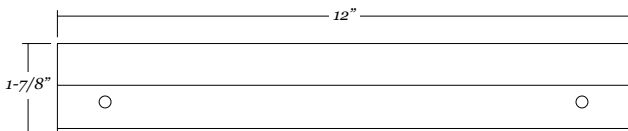
- 20" x 30" frameless rectangle mirror
- 1" wide beveled edge
- 1/4" thick glass with premium silver backing
- Ultra-Flush™ Installation System: two cleats on back of mirror, interlocking wall cleat provided
- Vertical or horizontal orientation

Mirror Dimensions



Weight: 12 lbs.

Wall Hardware (included)

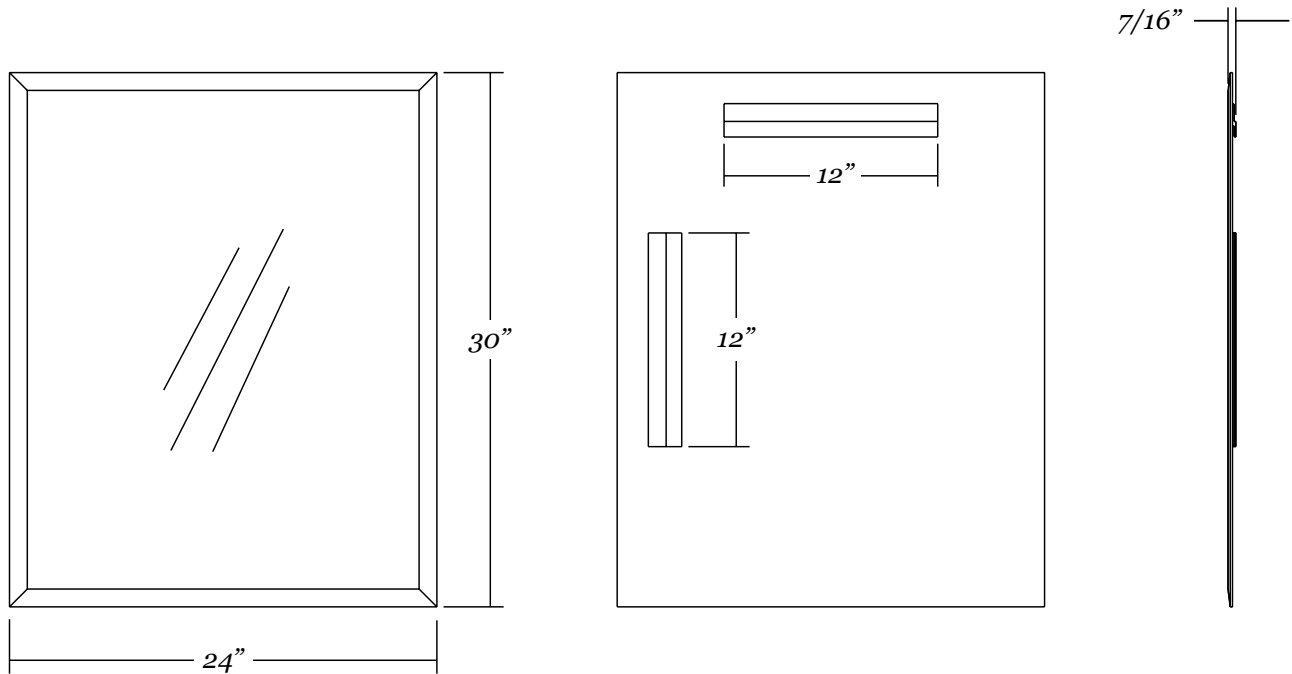


17151

Frameless *beveled rectangle mirror*

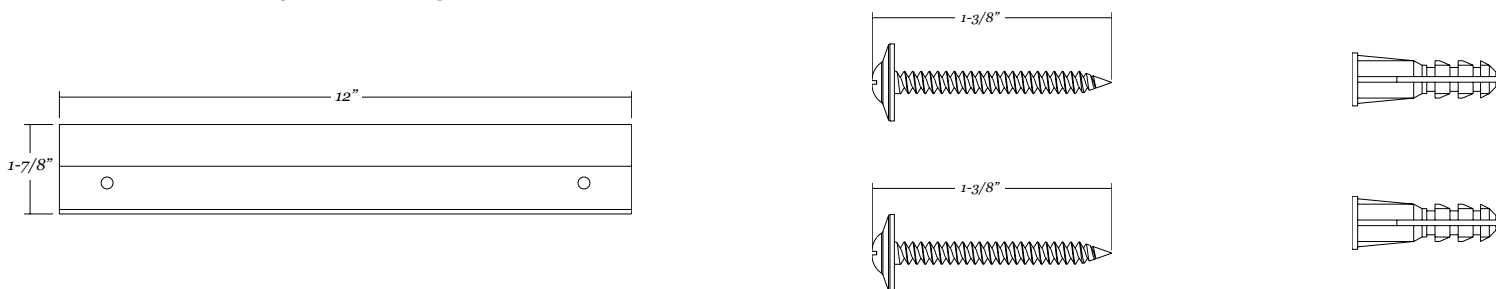
- 24" x 30" frameless rectangle mirror
- 1" wide beveled edge
- 1/4" thick glass with premium silver backing
- Ultra-Flush™ Installation System: two cleats on back of mirror, interlocking wall cleat provided
- Vertical or horizontal orientation

Mirror Dimensions



Weight: 14 lbs.

Wall Hardware (included)

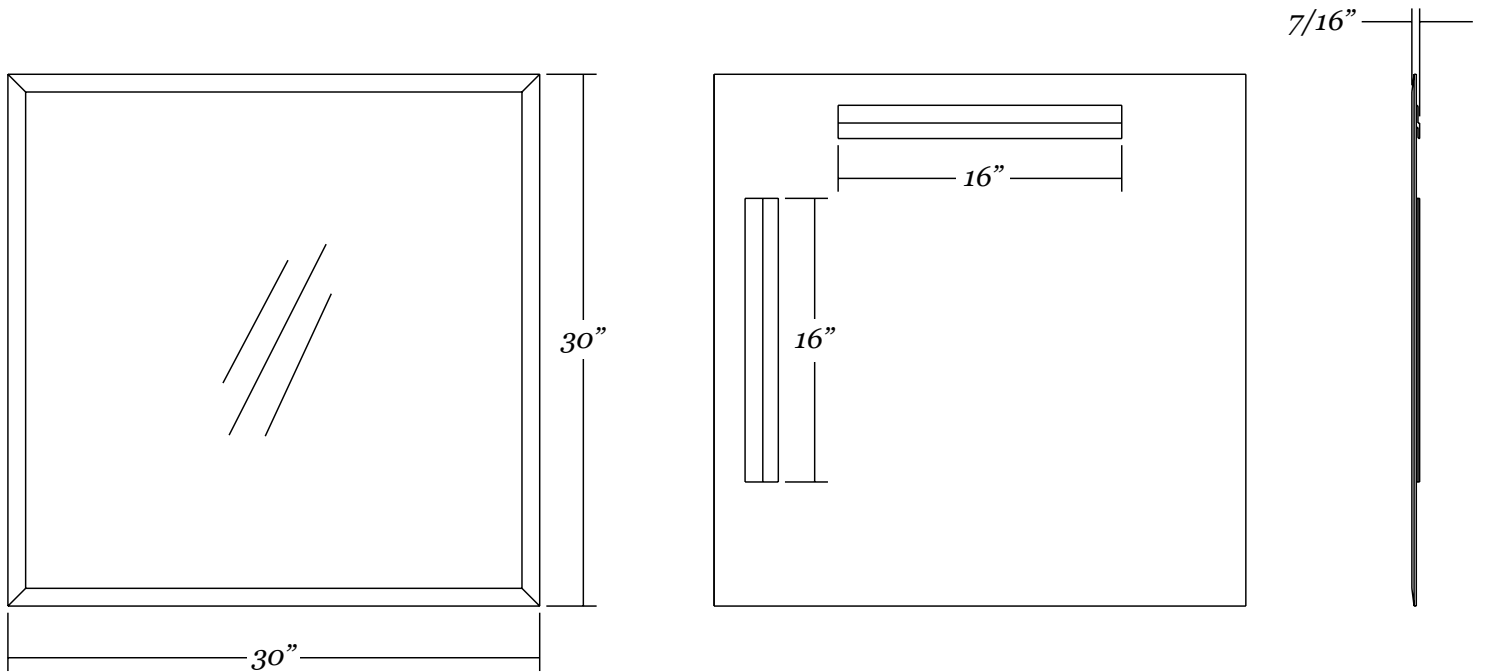


17152

Frameless *beveled square mirror*

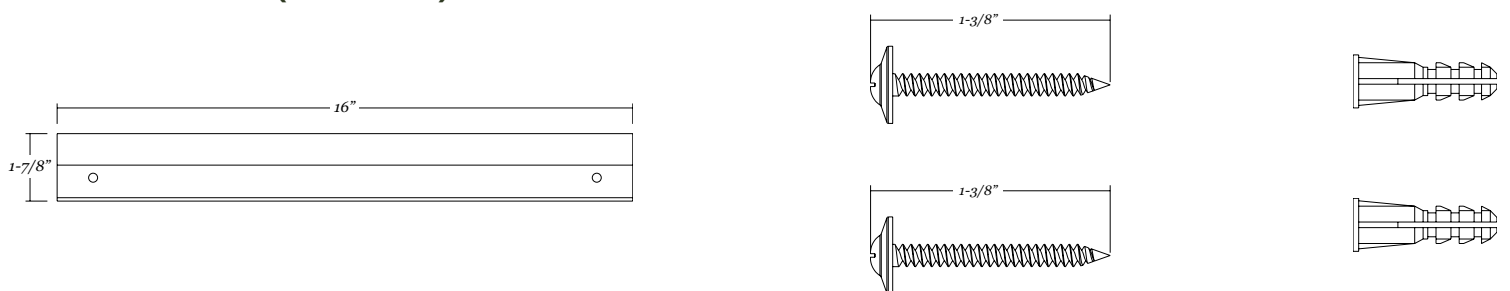
- 30" x 30" frameless square mirror
- 1" wide beveled edge
- 1/4" thick glass with premium silver backing
- Ultra-Flush™ Installation System: one cleat on back of mirror, interlocking wall cleat provided
- Vertical orientation

Mirror Dimensions



Weight: 18 lbs.

Wall Hardware (included)

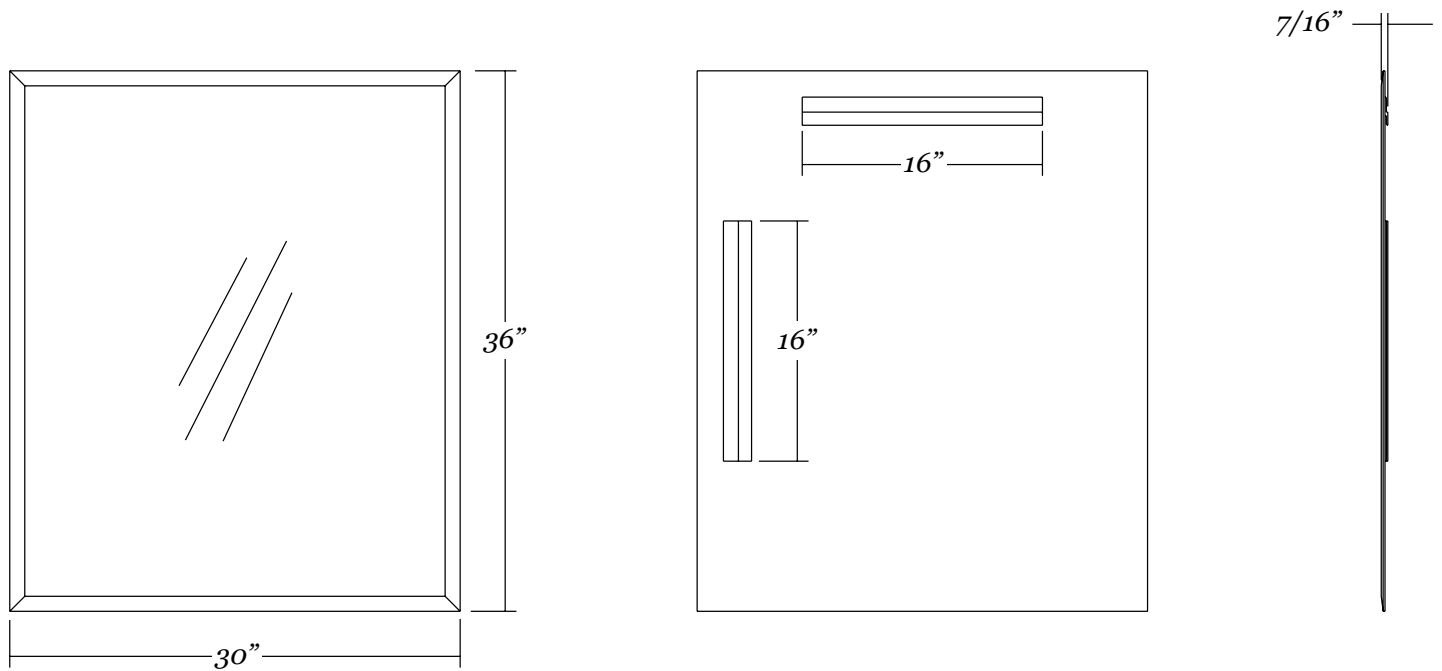


17153

Frameless *beveled rectangle mirror*

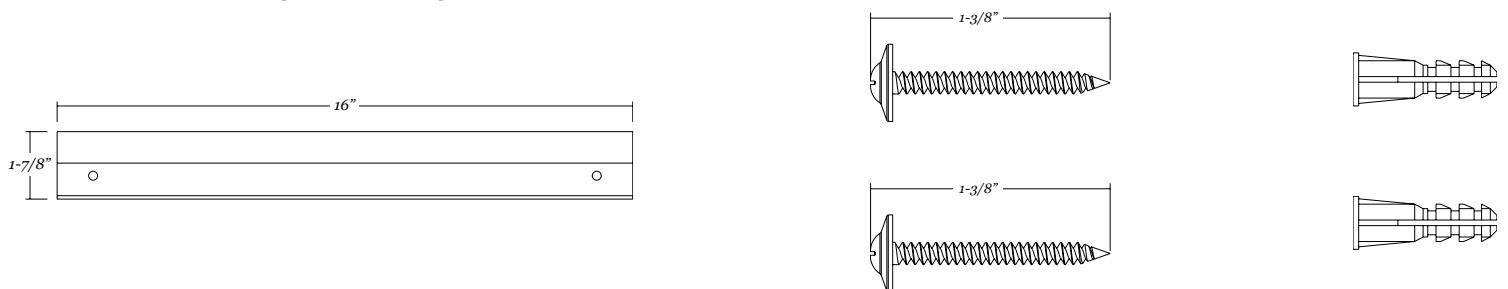
- 30" x 36" frameless rectangle mirror
- 1" wide beveled edge
- 1/4" thick glass with premium silver backing
- Ultra-Flush™ Installation System: two cleats on back of mirror, interlocking wall cleat provided
- Vertical or horizontal orientation

Mirror Dimensions



Weight: 21 lbs.

Wall Hardware (included)

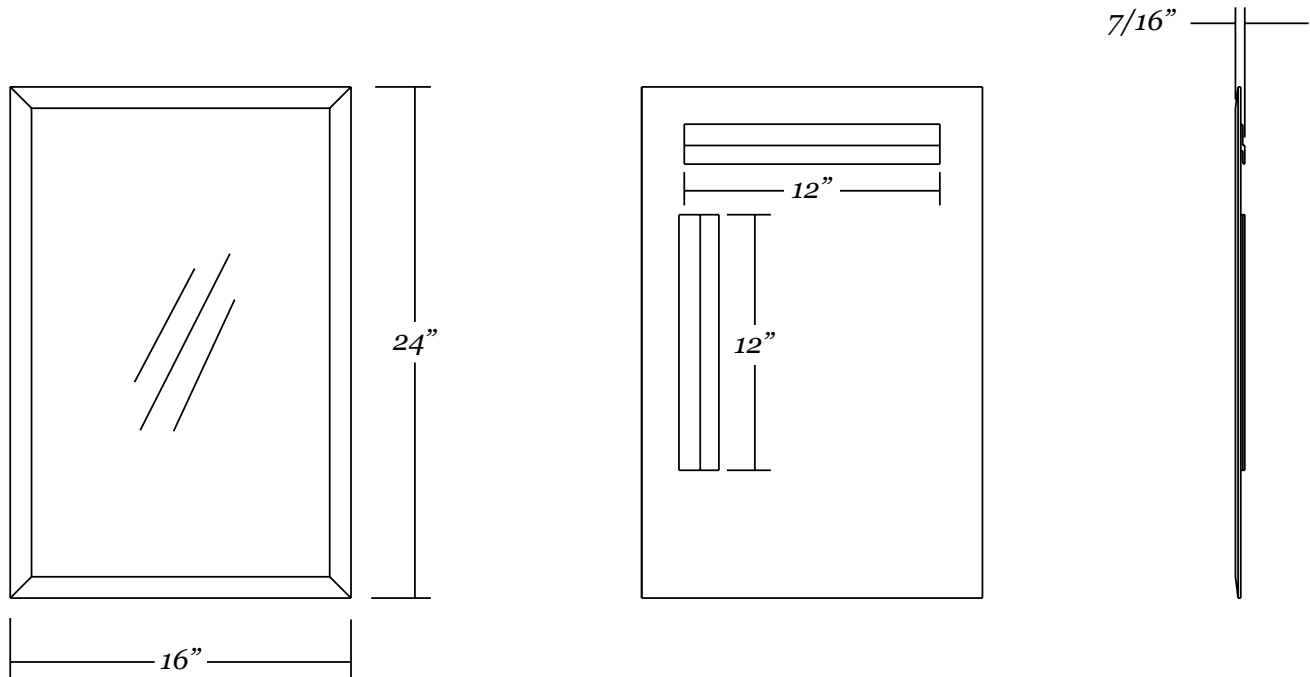


17156

Frameless *beveled rectangle mirror*

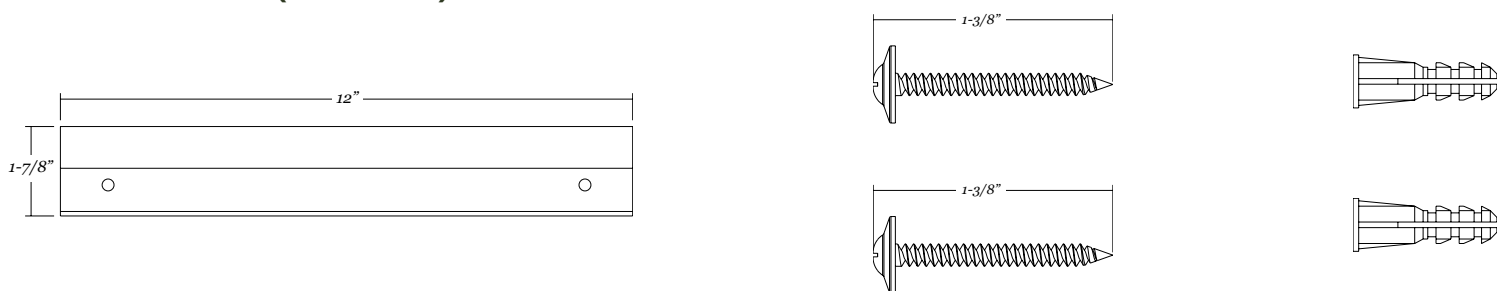
- 16" x 24" frameless rectangle mirror
- 1" wide beveled edge
- 1/4" thick glass with premium silver backing
- Ultra-Flush™ Installation System: two cleats on back of mirror, interlocking wall cleat provided
- Vertical or horizontal orientation

Mirror Dimensions



Weight: 8 lbs.

Wall Hardware (included)

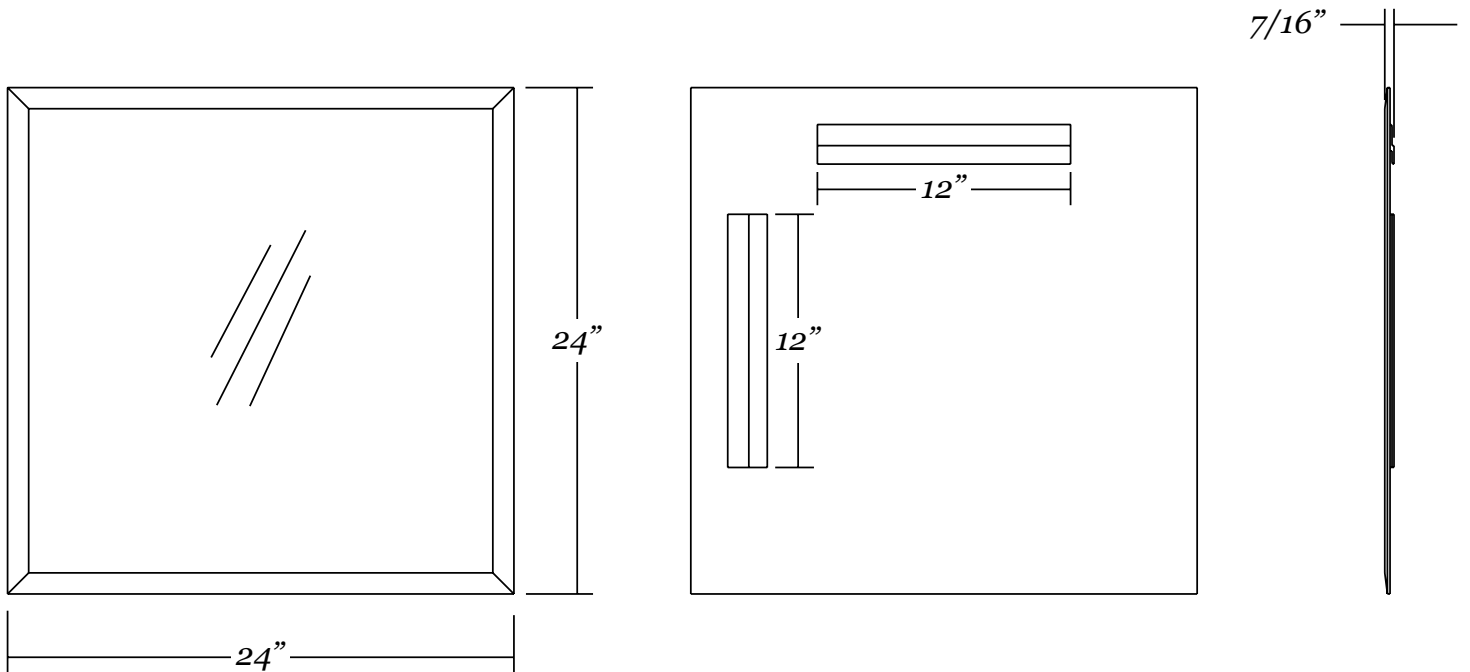


17157

Frameless *beveled square mirror*

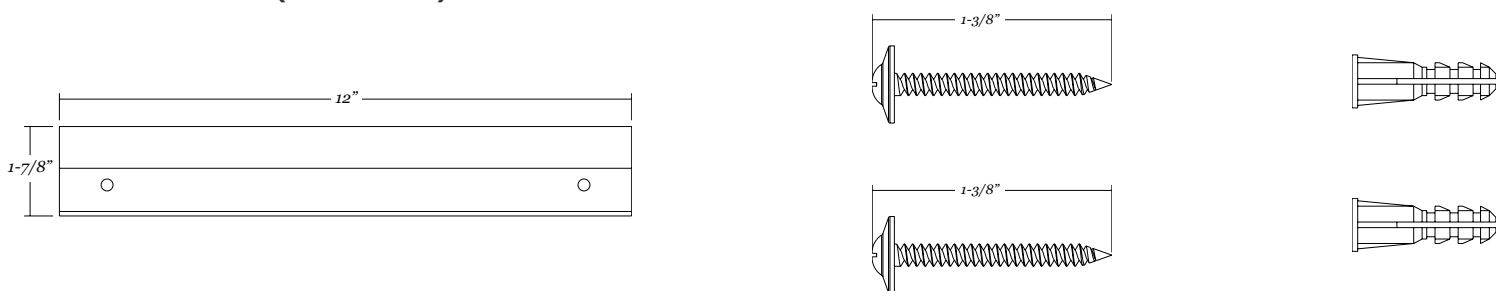
- 24" x 24" frameless rectangle mirror
- 1" wide beveled edge
- 1/4" thick glass with premium silver backing
- Ultra-Flush™ Installation System: one cleat on back of mirror, interlocking wall cleat provided
- Vertical orientation

Mirror Dimensions



Weight: 10 lbs.

Wall Hardware (included)

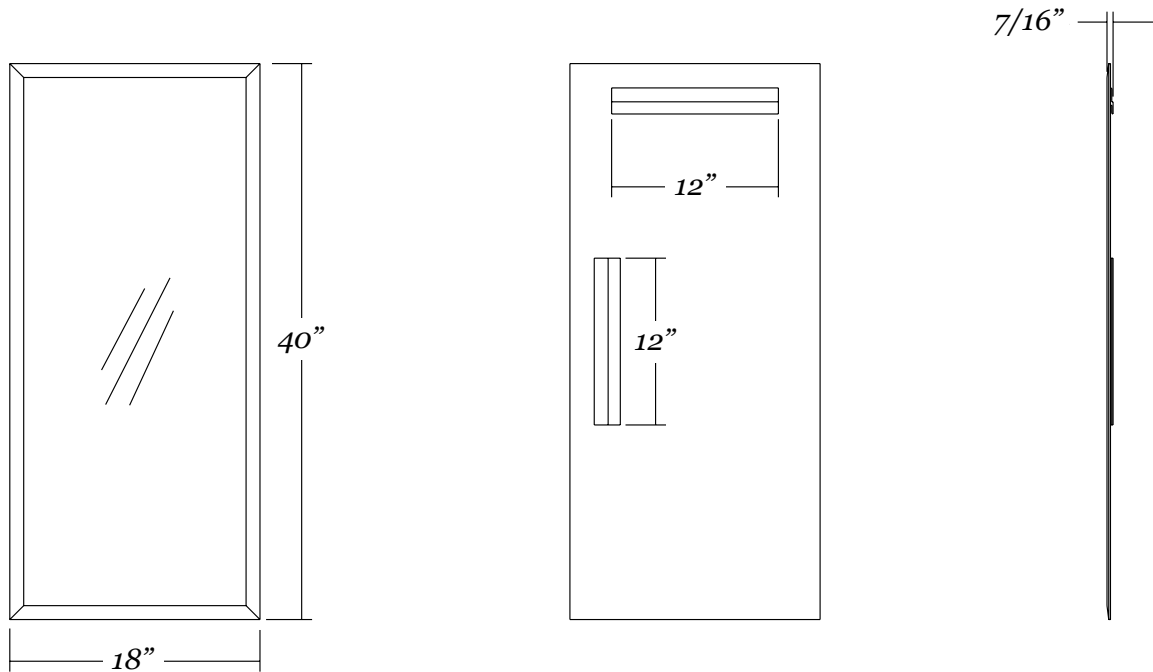


17158

Frameless *beveled rectangle mirror*

- 18" x 40" frameless rectangle mirror
- 1" wide beveled edge
- 1/4" thick glass with premium silver backing
- Ultra-Flush™ Installation System: two cleats on back of mirror, interlocking wall cleat provided
- Vertical or horizontal orientation

Mirror Dimensions



Weight: 14 lbs.

Wall Hardware (included)

