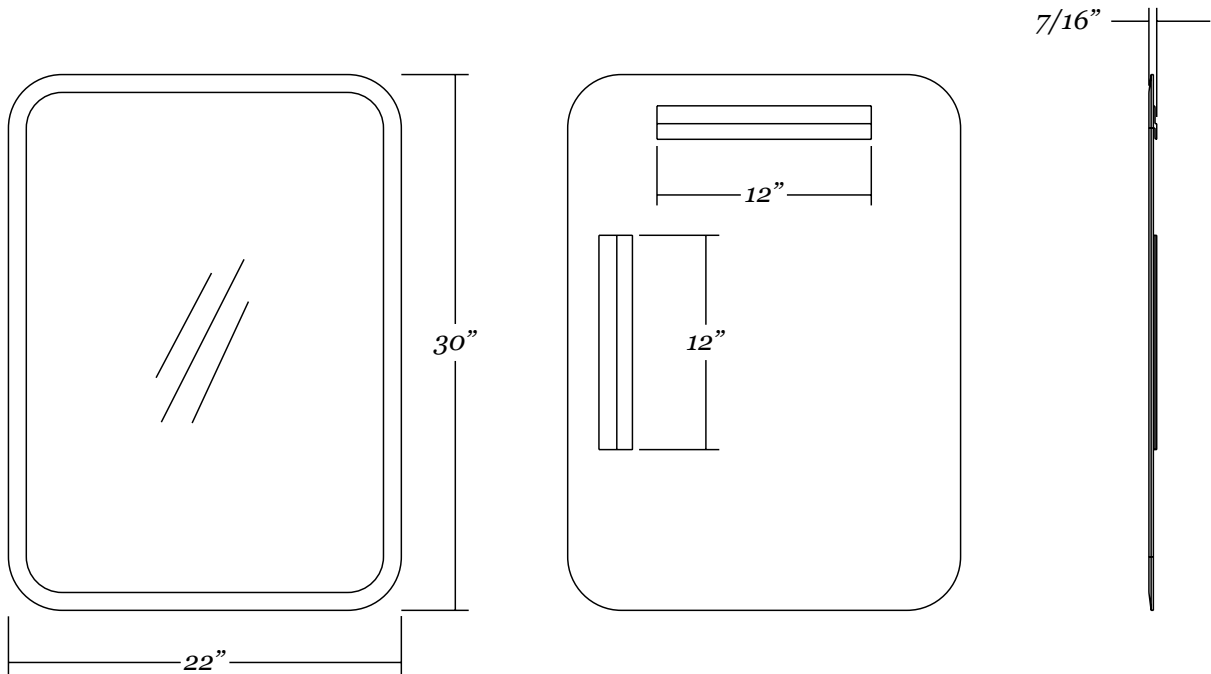


17129

Frameless *beveled rounded rectangle mirror*

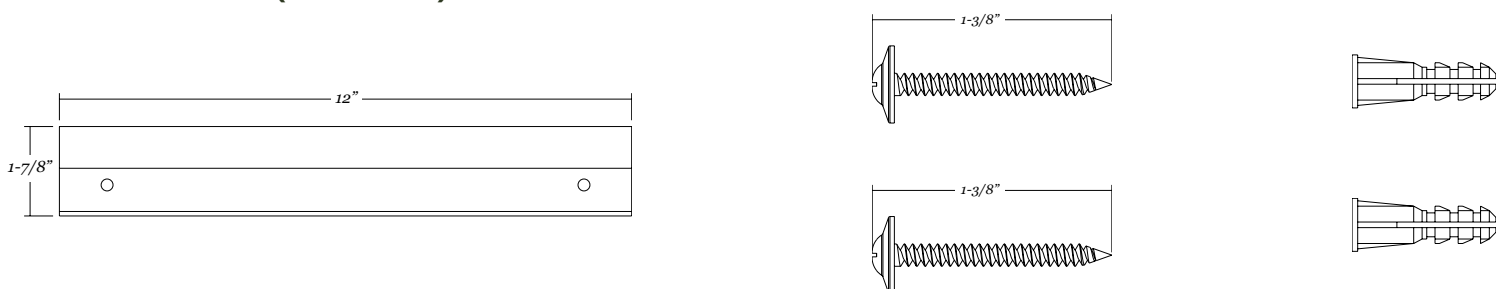
- 22" x 30" frameless rounded rectangle mirror (3" corner radius)
- 1" wide beveled edge
- 1/4" thick glass with premium silver backing
- Ultra-Flush™ Installation System: two cleats on back of mirror, interlocking wall cleat provided
- Vertical or horizontal hanging orientation

Mirror Dimensions



Weight: 12 lbs.

Wall Hardware (included)

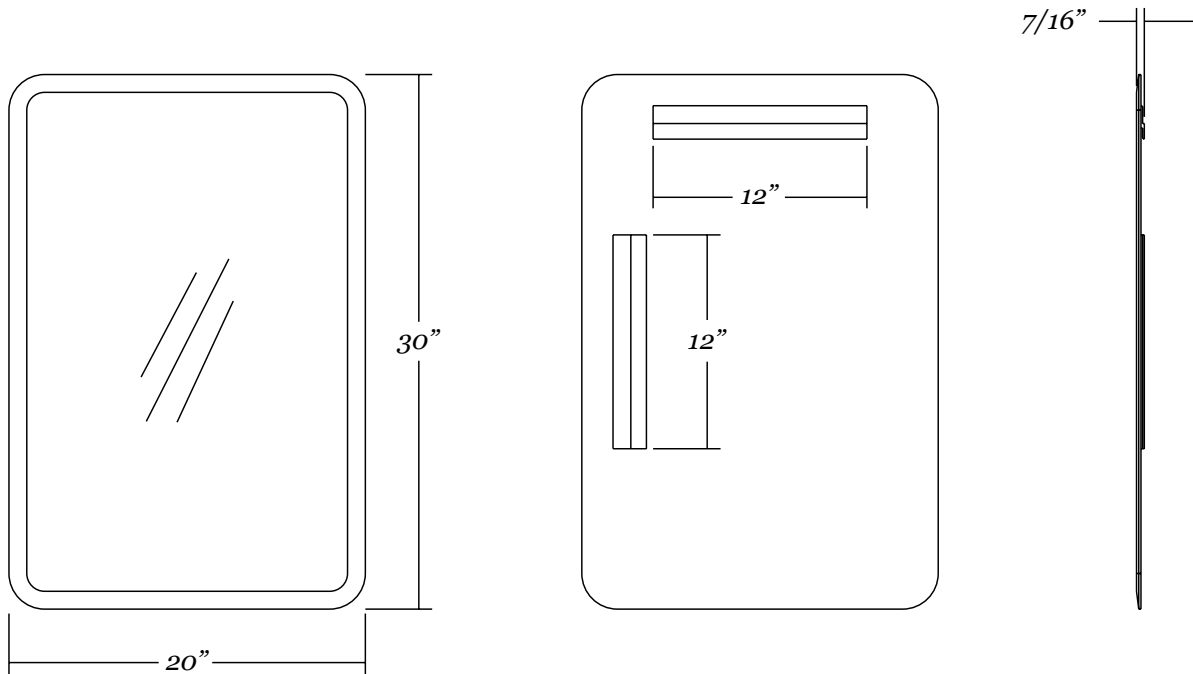


17160

Frameless *beveled rounded rectangle mirror*

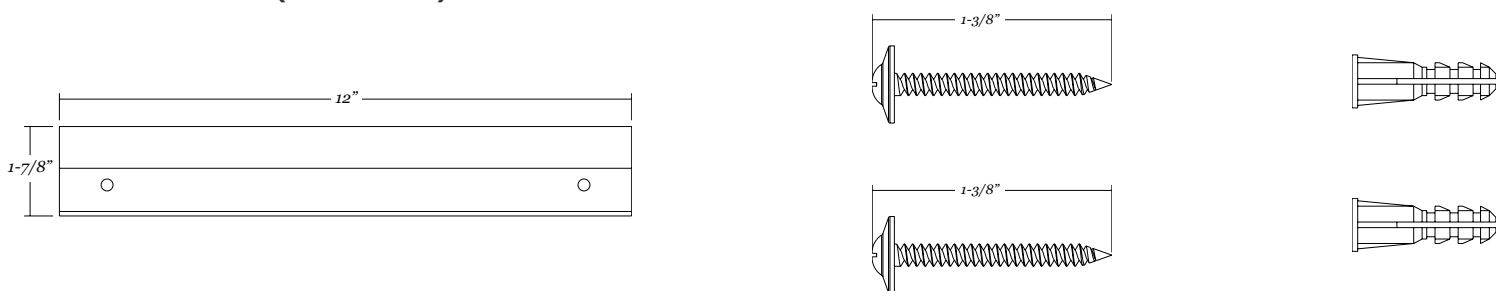
- 20" x 30" frameless rounded rectangle mirror (2" corner radius)
- 1" wide beveled edge
- 1/4" thick glass with premium silver backing
- Ultra-Flush™ Installation System: two cleats on back of mirror, interlocking wall cleat provided
- Vertical or horizontal orientation

Mirror Dimensions



Weight: 11 lbs.

Wall Hardware (included)

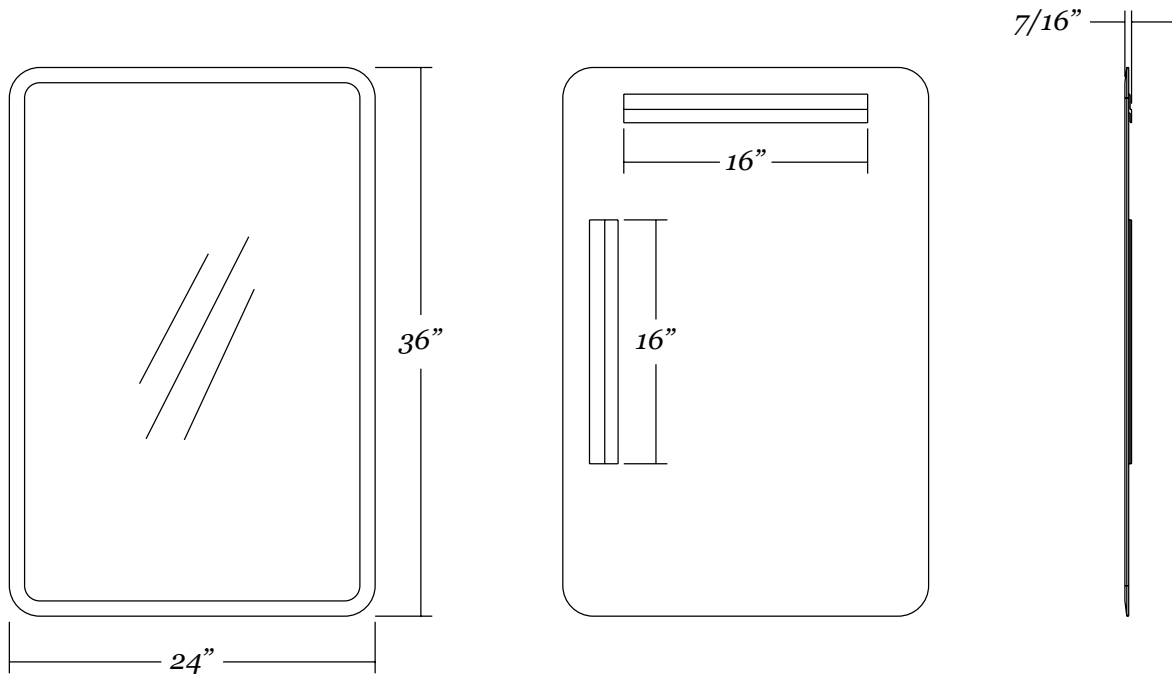


17162

Frameless *beveled rounded rectangle mirror*

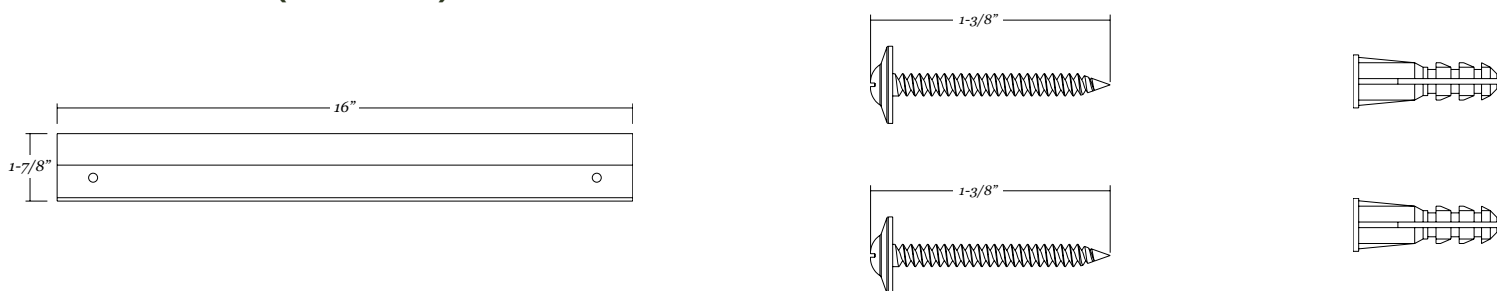
- 24" x 36" frameless rounded rectangle mirror (2" corner radius)
- 1" wide beveled edge
- 1/4" thick glass with premium silver backing
- Ultra-Flush™ Installation System: two cleats on back of mirror, interlocking wall cleat provided
- Vertical or horizontal orientation

Mirror Dimensions



Weight: 18 lbs.

Wall Hardware (included)

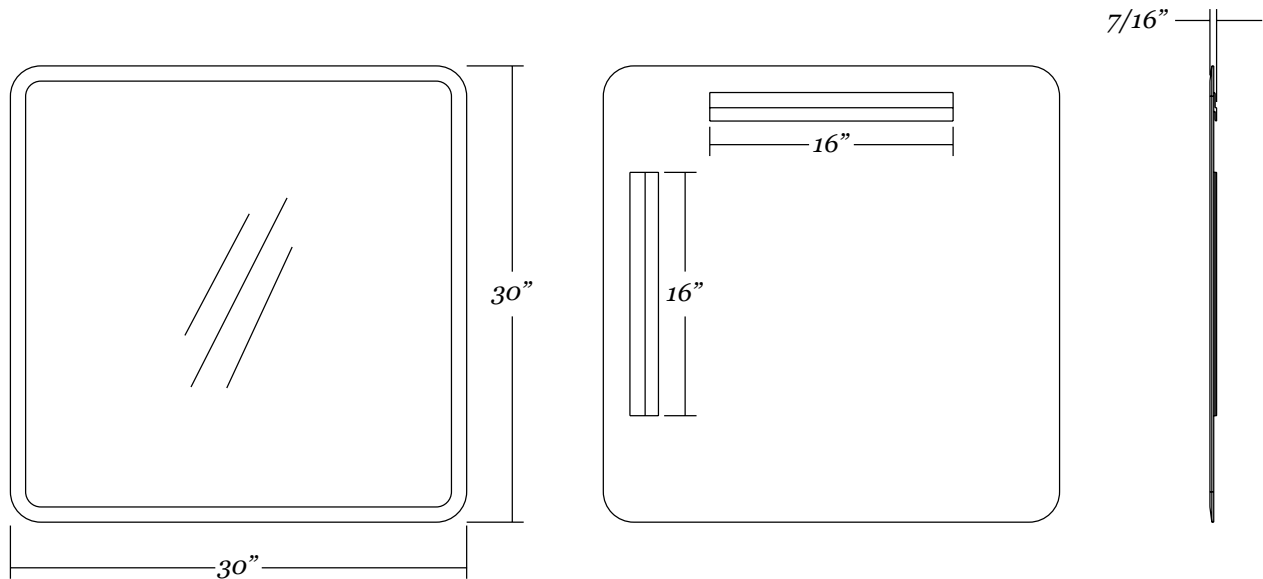


17163

Frameless *beveled rounded square mirror*

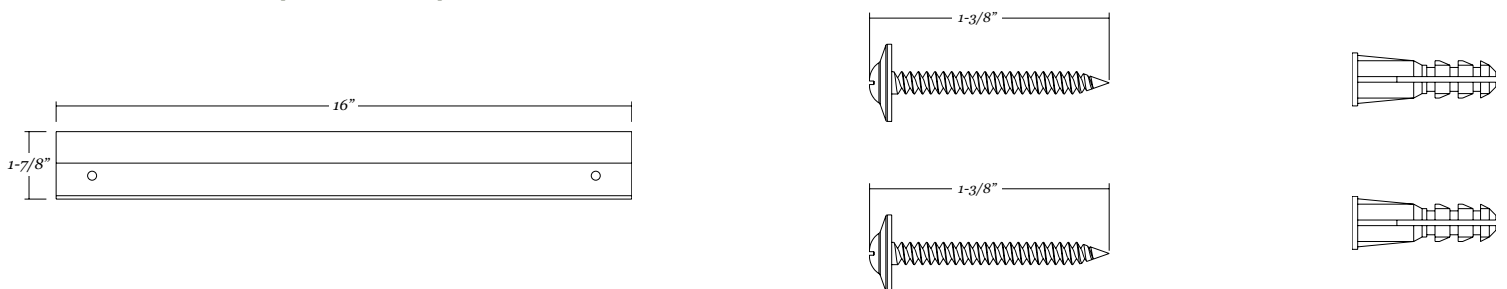
- 30" x 30" frameless rounded square mirror (2" corner radius)
- 1" wide beveled edge
- 1/4" thick glass with premium silver backing
- Ultra-Flush™ Installation System: one cleat on back of mirror, interlocking wall cleat provided
- Vertical orientation

Mirror Dimensions



Weight: 18 lbs.

Wall Hardware (included)

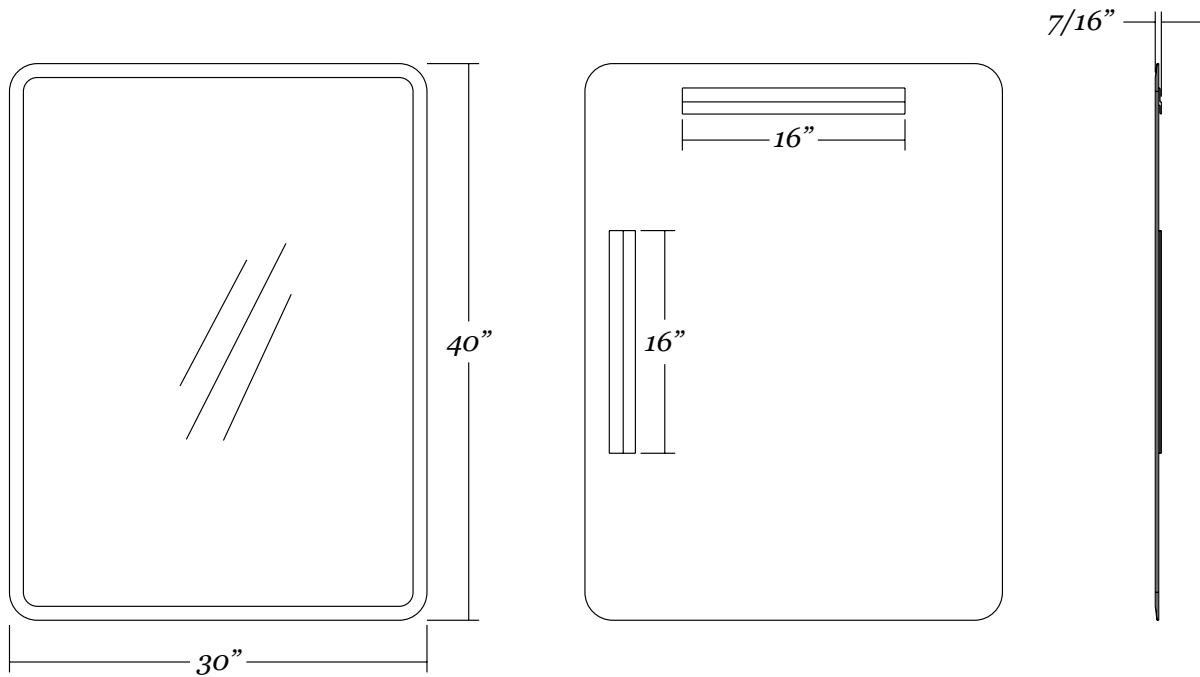


17165

Frameless *beveled rounded rectangle mirror*

- 30" x 40" frameless rounded rectangle mirror (2" corner radius)
- 1" wide beveled edge
- 1/4" thick glass with premium silver backing
- Ultra-Flush™ Installation System: two cleats on back of mirror, interlocking wall cleat provided
- Vertical or horizontal orientation

Mirror Dimensions



Weight: 24 lbs.

Wall Hardware (included)

