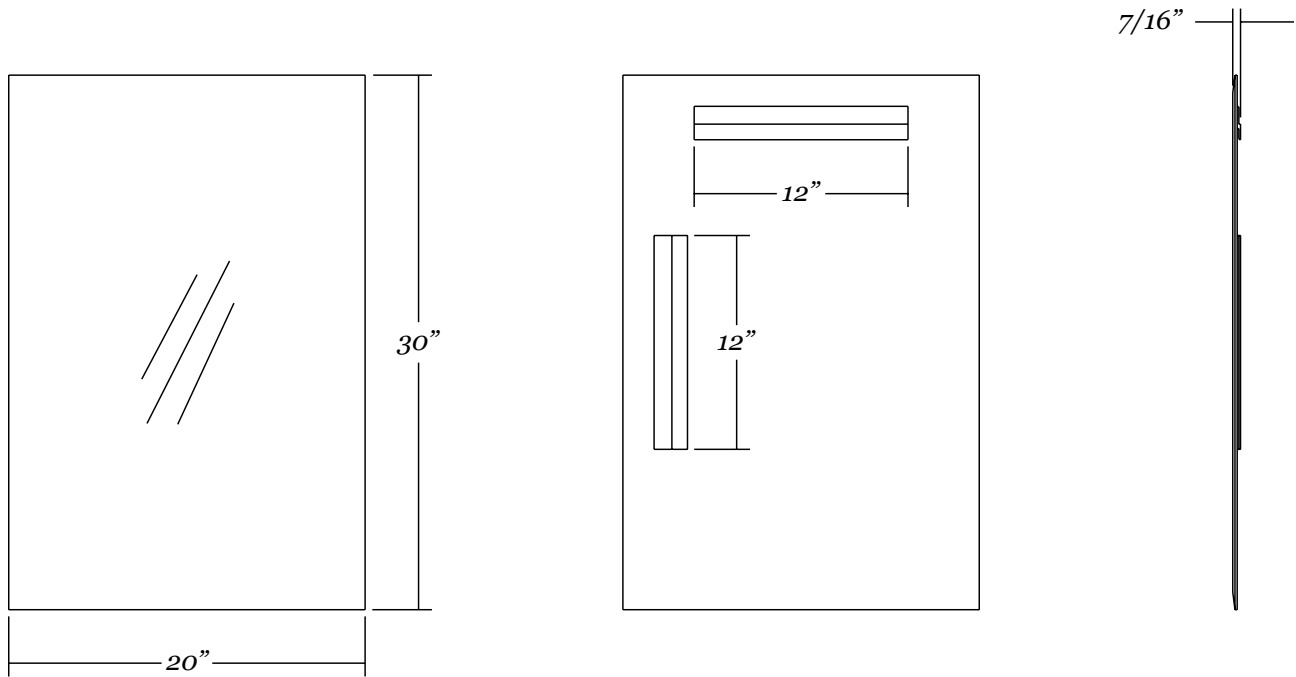


17140

Frameless *rectangle mirror*

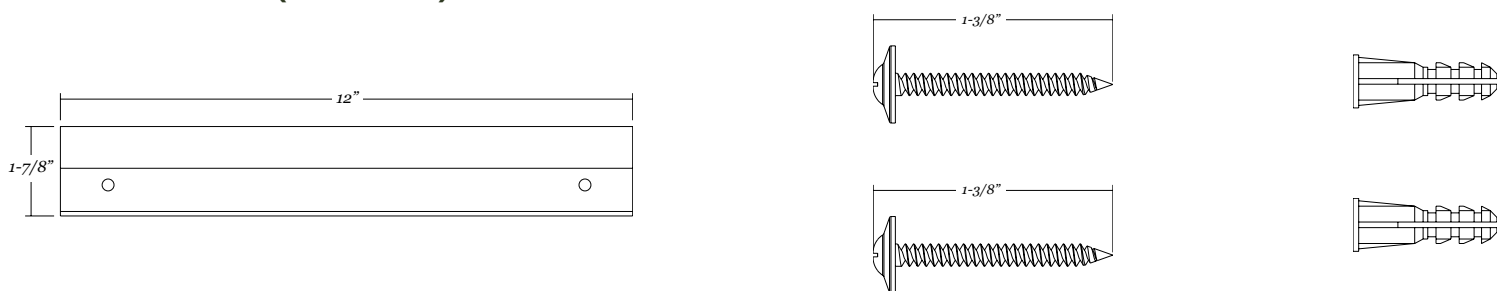
- 20" x 30" frameless rectangle mirror
- Non-beveled, pencil polished edge
- 1/4" thick glass with premium silver backing
- Ultra-Flush™ Installation System: two cleats on back of mirror, interlocking wall cleat provided
- Vertical or horizontal hanging orientation

Mirror Dimensions



Weight: 11 lbs.

Wall Hardware (included)

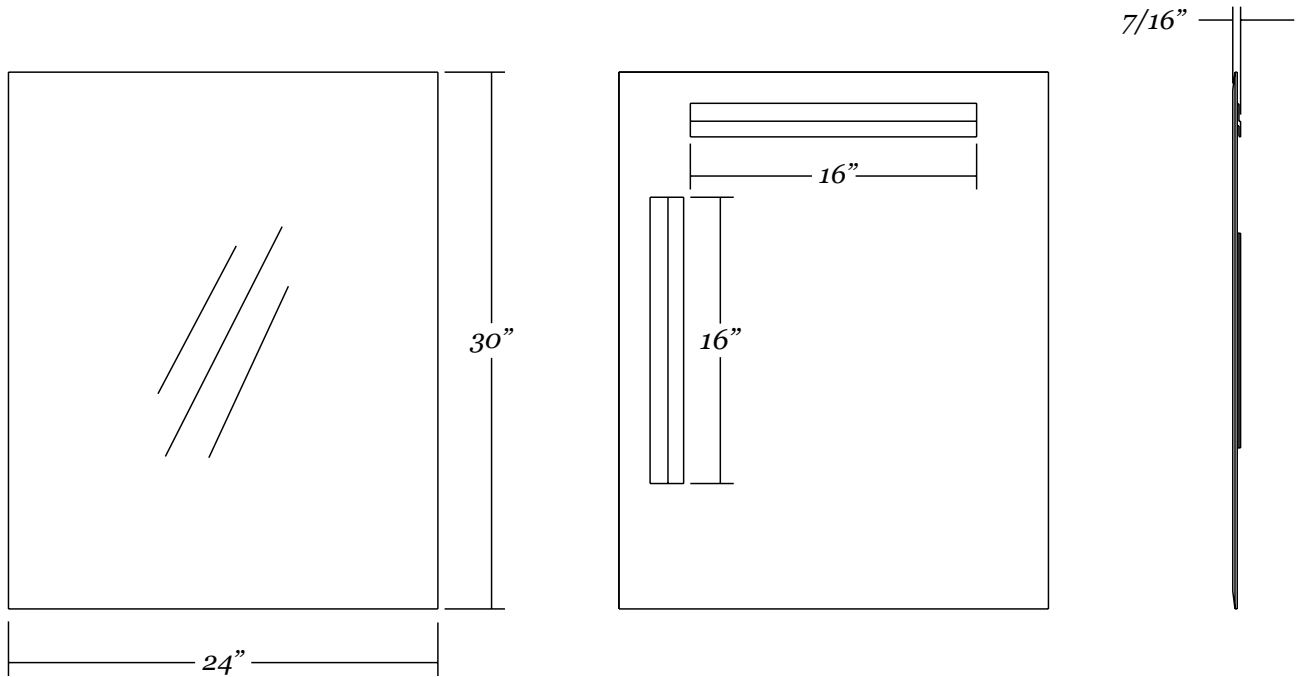


17141

Frameless *rectangle mirror*

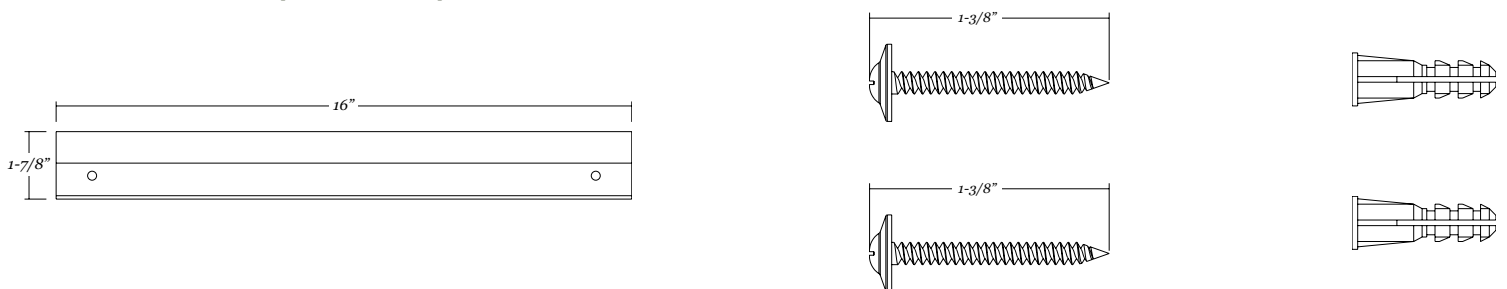
- 24" x 30" frameless rectangle mirror
- Non-beveled, pencil polished edge
- 1/4" thick glass with premium silver backing
- Ultra-Flush™ Installation System: two cleats on back of mirror, interlocking wall cleat provided
- Vertical or horizontal orientation

Mirror Dimensions



Weight: 14 lbs.

Wall Hardware (included)

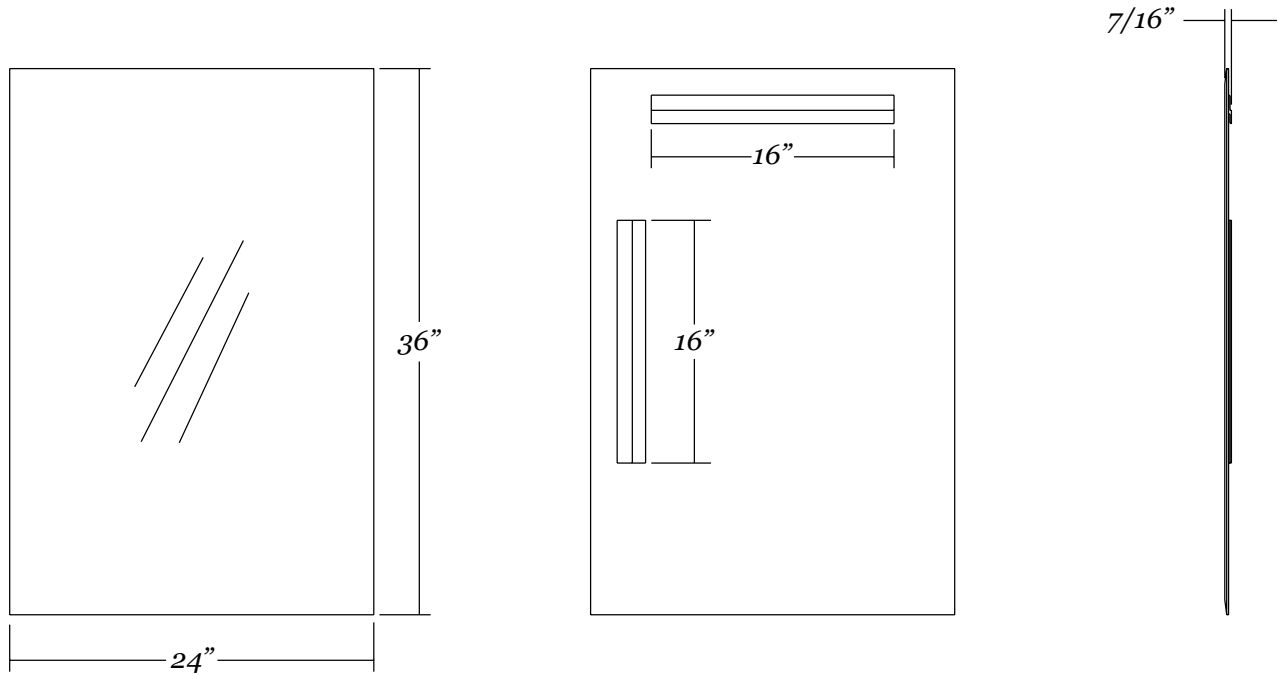


17142

Frameless *rectangle mirror*

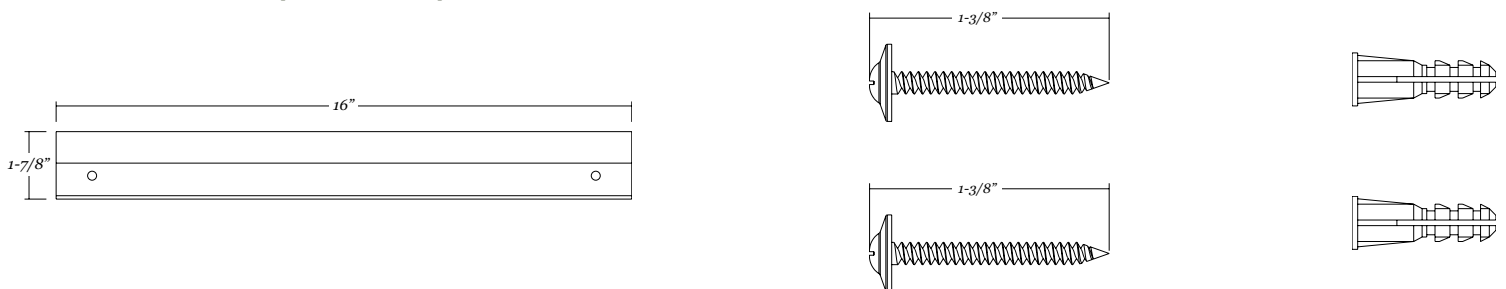
- 24" x 36" frameless rectangle mirror
- Non-beveled, pencil polished edge
- 1/4" thick glass with premium silver backing
- Ultra-Flush™ Installation System: two cleats on back of mirror, interlocking wall cleat provided
- Vertical or horizontal orientation

Mirror Dimensions



Weight: 17 lbs.

Wall Hardware (included)

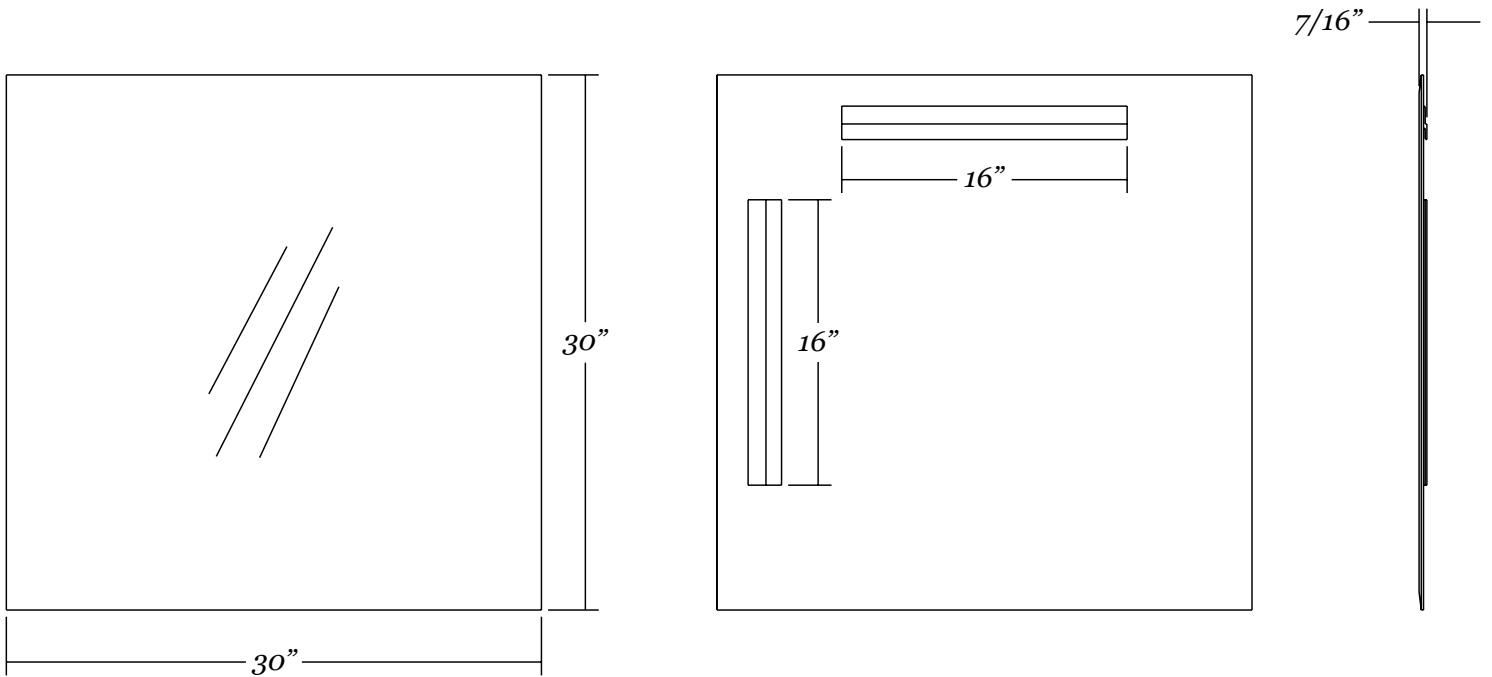


17143

Frameless *square mirror*

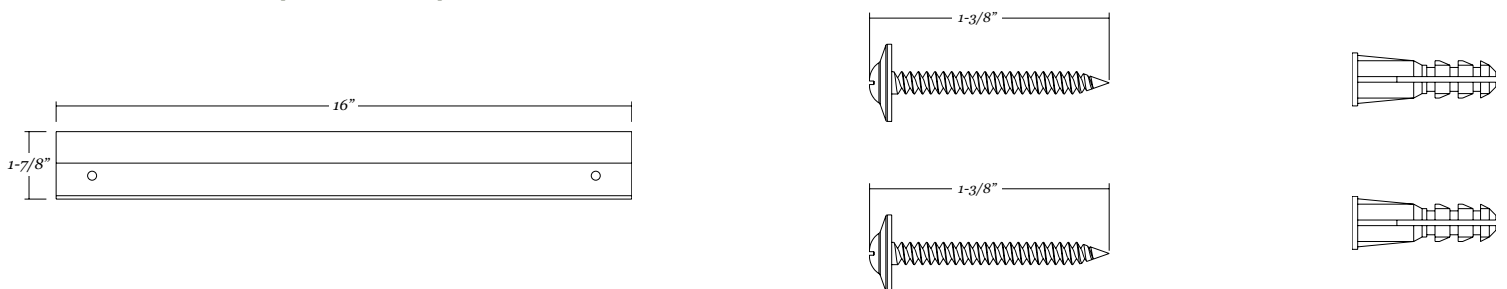
- 30" x 30" frameless square mirror
- Non-beveled, pencil polished edge
- 1/4" thick glass with premium silver backing
- Ultra-Flush™ Installation System: one cleat on back of mirror, interlocking wall cleat provided
- Vertical orientation

Mirror Dimensions



Weight: 18 lbs.

Wall Hardware (included)

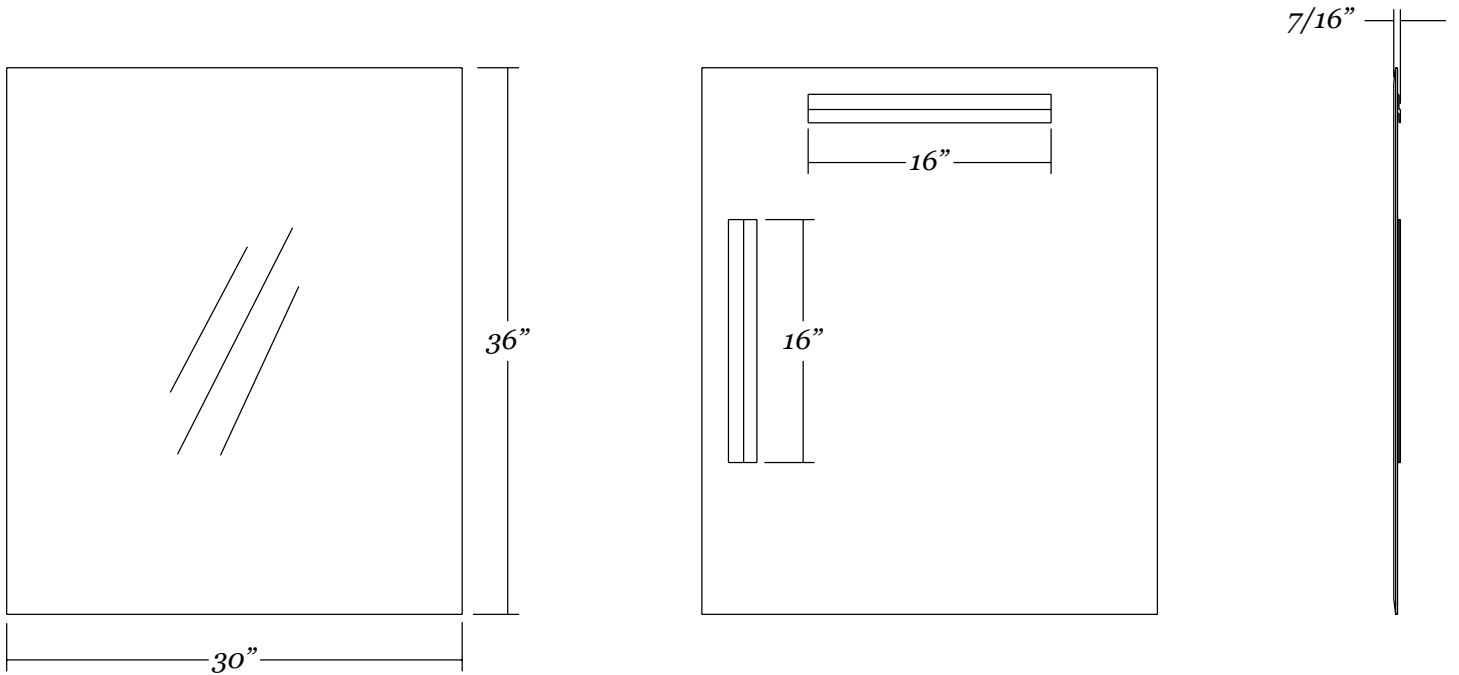


17144

Frameless *rectangle mirror*

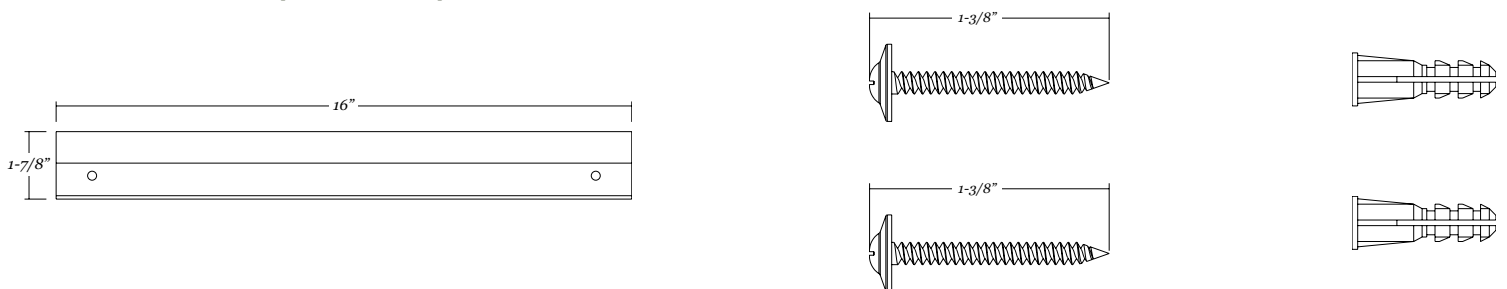
- 30" x 36" frameless rectangle mirror
- Non-beveled, pencil polished edge
- 1/4" thick glass with premium silver backing
- Ultra-Flush™ Installation System: two cleats on back of mirror, interlocking wall cleat provided
- Vertical or horizontal orientation

Mirror Dimensions



Weight: 21 lbs.

Wall Hardware (included)

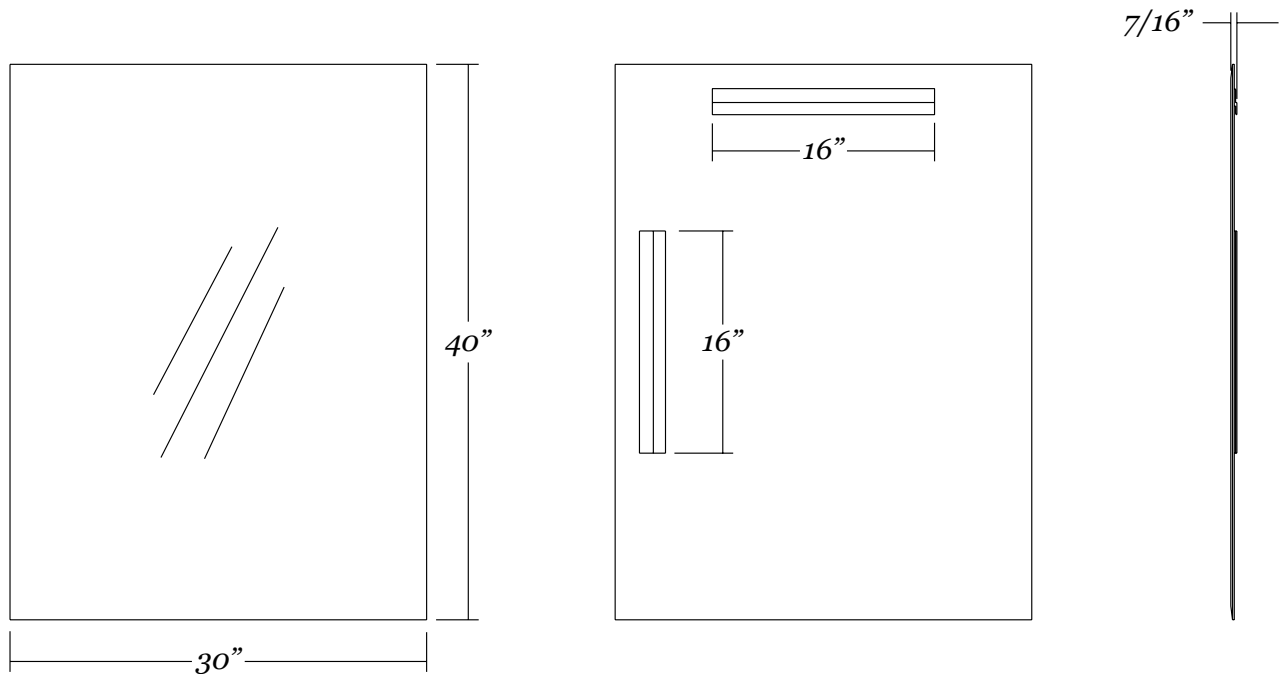


17145

Frameless *rectangle mirror*

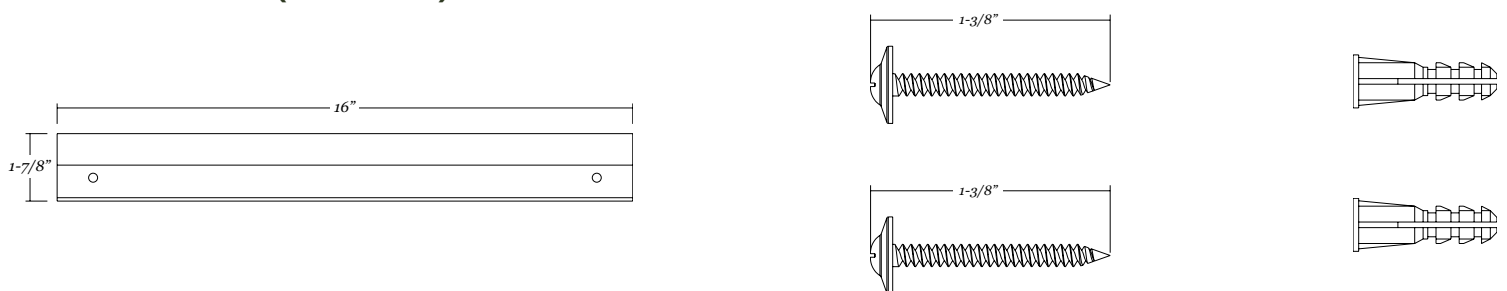
- 30" x 40" frameless rectangle mirror
- Non-beveled, pencil polished edge
- 1/4" thick glass with premium silver backing
- Ultra-Flush™ Installation System: two cleats on back of mirror, interlocking wall cleat provided
- Vertical or horizontal orientation

Mirror Dimensions



Weight: 24 lbs.

Wall Hardware (included)

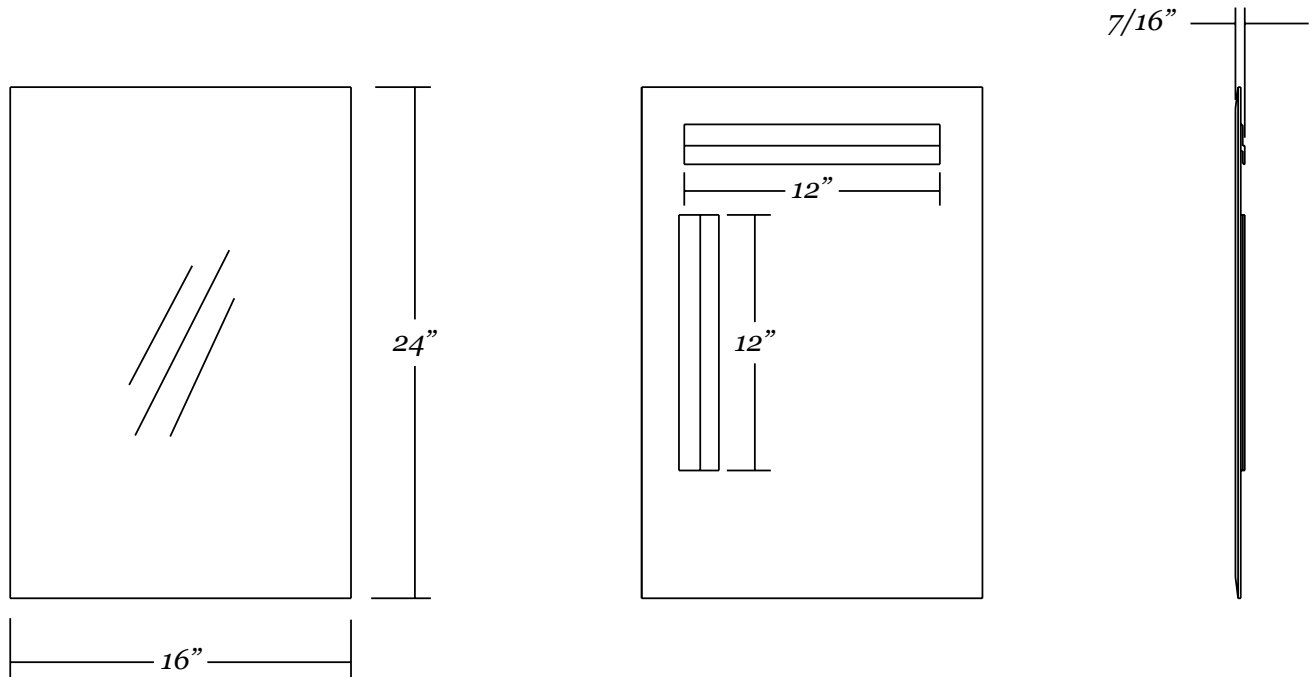


17146

Frameless *rectangle mirror*

- 16" x 24" frameless rectangle mirror
- Non-beveled, pencil polished edge
- 1/4" thick glass with premium silver backing
- Ultra-Flush™ Installation System: two cleats on back of mirror, interlocking wall cleat provided
- Vertical or horizontal orientation

Mirror Dimensions



Weight: 8 lbs.

Wall Hardware (included)

